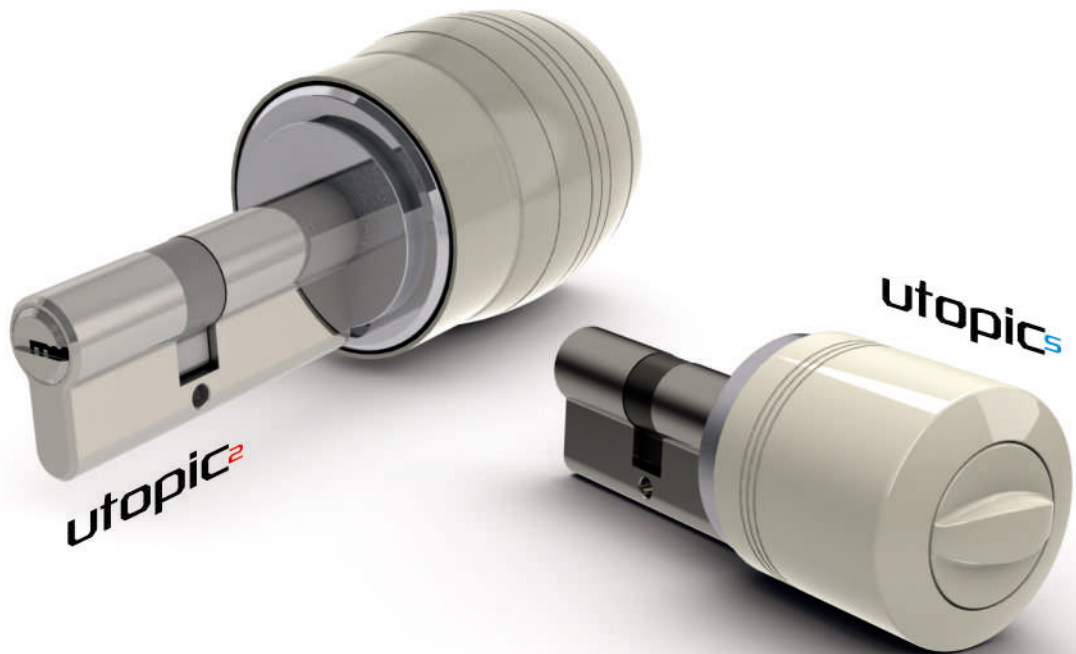


“LIVING THE FUTURE”
Do you think it is utopic?
For sure, it is.

utopic

the future of cylinder



WIRELESS
AUTO-ROTATE
MOTORIZED CYLINDER



Remote Controller



Wireless Fingerprint Reader



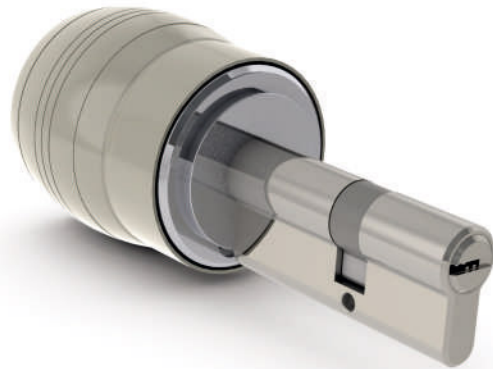
Coming Soon

SMALLEST MOTORIZED CYLINDER (*Patented**)

Utopic, world's most compact and smallest auto-rotate wireless cylinder, offers you to have a keyless living.

POWERFUL AND COMPACT DESIGN

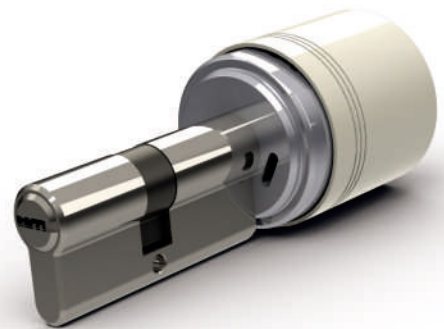
In addition to its stylish appearance, utopic has a powerful electromechanical structure. We take a single block of aluminum and put it through a sophisticated milling process to create a durable and seamless design. All control board, wireless communication components, gear motor and batteries fit in to 60 mm knob for Utopic 2. This diameter is only 48 mm for Utopic S.



EXTREME FLEXIBILITY

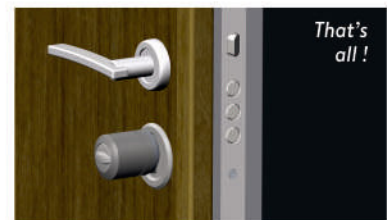
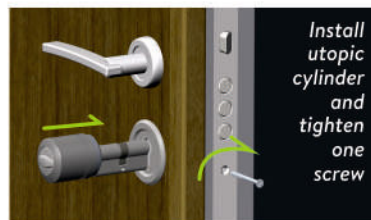
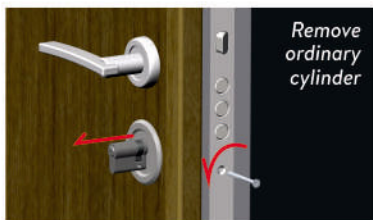
Utopic has everything you need as an access control device. Wireless fingerprint reader gives complete keyless flexibility, with almost full support for children, women and men fingerprints. High secure rolling code remote controller works on 434 Mhz with super-fast performance free from interference. Wherever you are, GSM or PSTN line interface provides to open the door by entering password through your phone's keypad.

We are also working on bluetooth and Wi-Fi interfaces for use with the latest wireless devices, so you will be able to connect your smartphone and tablet soon for operating utopic by using password or smartphone's built-in fingerprint reader.



EASY TO INSTALL

Utopic has the same installation process of ordinary cylinders. You'll install Utopic with only one screw and enjoy. Utopic is suitable for all the doors which have mortise lock operated by cylinder.



UNBELEIVABLE PERFORMANCE

Even it has a wireless communication structure, energy-efficient electromechanical design makes utopic last for up to 3 years on battery power. Exclusive RF technology gives up to 5 years of standby time.

INCREDIBLE SPEED

No one have to wait when they want to open or lock a door. This is why utopic locks and unlocks a door in just two seconds. Utopic 2 is powered by 5x AA size alkaline batteries and Utopic S is powered by 3x CR123A lithium batteries for seamless operating speed.

LOW NOISE

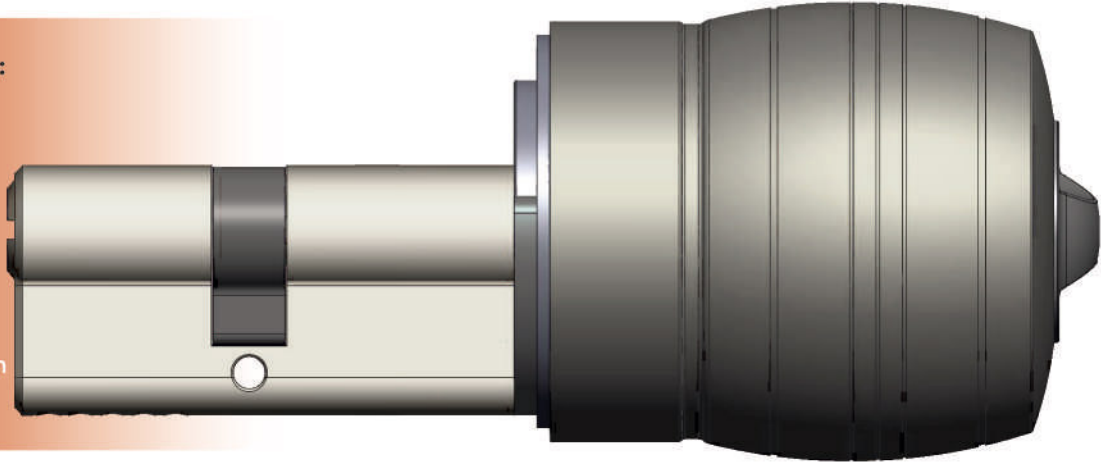
Creating a motorized cylinder is one thing, but making a silent one is something else. The key to our success is our specially designed gearbox expertly balances high-performance and reasonable sound.

* Utopic is protected by patents in USA, most of EU countries and Israel till 2030.

Knob Diameter:
60,0 mm

Knob Length:
77,5 mm

Cylinder
Length:
Knob side need
to be more than
20 mm

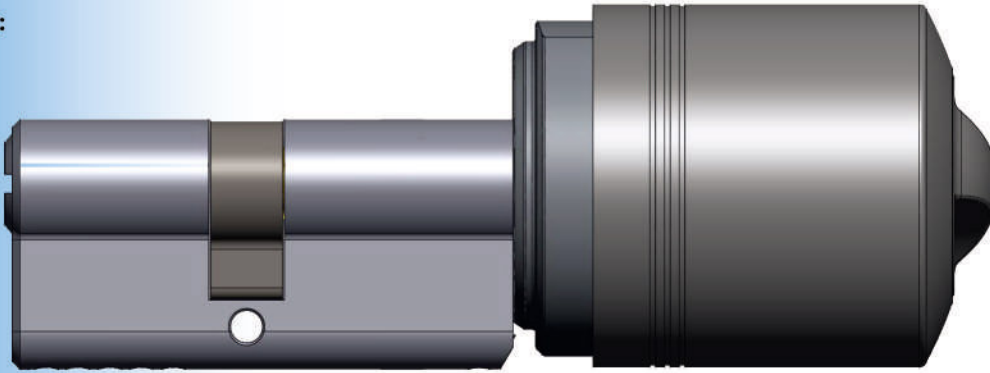


utopic²

Knob Diameter:
48,0 mm

Knob Length:
63,5 mm

Cylinder
Length:
Knob side need
to be more than
20 mm



utopic^s

FEATURES

- Fully automatic locking or unlocking up to 15.000* times for Utopic 2 and 10.000* times for Utopic S
- Suitable for All Mortise Locks Operated by Cylinder
- Totally Wireless.
- 434 or 868 MHz Working Frequency
- High Secure Communication Structure
- Controlling Options:
 - Remote Controller
 - Wireless Capacitive Fingerprint Reader
 - GSM / PSTN Line Interface
 - Wireless Optical Fingerprint Reader *(coming soon)*
 - Wireless Keypad *(coming soon)*
 - Wireless RFID Reader *(coming soon)*
 - Bluetooth, Wi-Fi and NFC Integration *(coming soon)*

MATERIAL

Engraved Aluminum with ABS parts

ELECTRICAL SPECIFICATIONS

Utopic 2 is powered by 5x AA type alkaline batteries.

Utopic S is powered by 3x CR123A type lithium batteries.

** For Utopic 2, test is done with 5x Duracell AA alkaline batteries and for Utopic S, test is done with 3x Duracell CR123 lithium batteries. Motorized cylinder installed to 1 stage mortise lock. Every operation (locking or unlocking) counted as 1. Those values are highly depended on working conditions of door and lock.*

WIRELESS CAPACITIVE FINGERPRINT READER



FEATURES

- Totally Wireless
- 100 Fingerprint Memory (3 master + 97 user)
- 508 dpi Capacitive Fingerprint Reader with < 0,1% EER
- Led Graphic Display
- Hidden Touch Buttons
- 434 or 868 MHz Working Frequency
- High Secure Communication Structure

DIMENSIONS

Width: 74 mm
Length: 114 mm
Height: 16 - 34 mm

MATERIAL

Painted Zamak with Semi-transparent PC.

ELECTRICAL SPECIFICATION

Powered by 1x CR123A Type Lithium Battery.

REMOTE CONTROLLER



FEATURES

- Rolling Code with High Secure Encryption
- Long Battery Life
- 4 Buttons
- 434 MHz Working Frequency

DIMENSIONS

Width: 32 mm
Length: 59 mm
Height: 13 mm

MATERIAL

Plated Metal with ABS Parts

ELECTRICAL SPECIFICATIONS

Powered by 1x 2032 Lithium Battery

